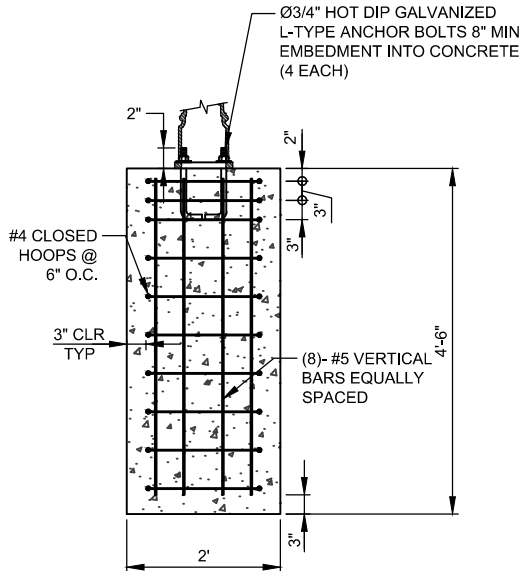
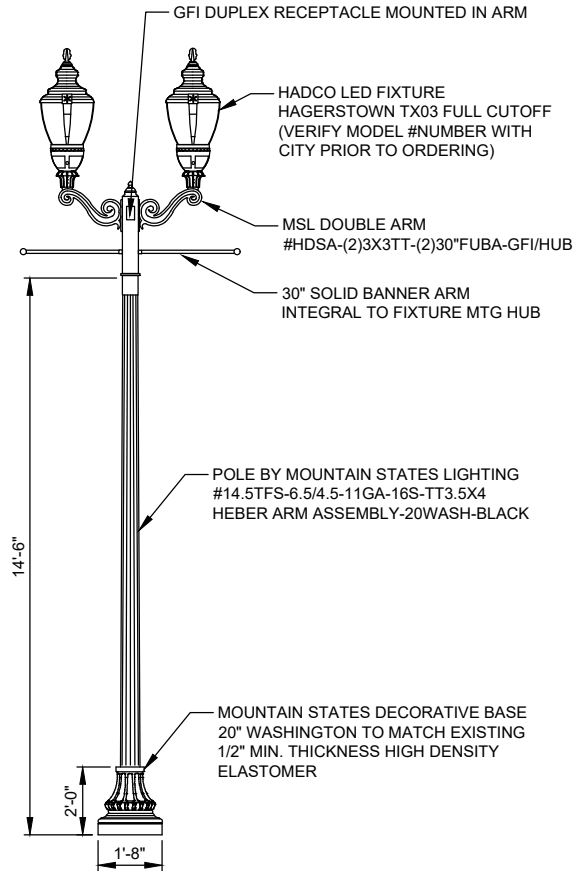


Ø3/4" X 18" min  
HOT DIP GALVANIZED  
L-TYPE ANCHOR BOLTS

**BASE PLATE DETAIL**



**CONCRETE BASE**



**NOTES:**

1. POLE SHALL BE FLUTED OR SMOOTH ALUMINUM WITH BLACK FINISH.
2. LOADING CAPACITY OF POLE SHALL BE 100 POUND RATED FOR A STEADY WIND OF 115 MPH MINIMUM.
3. CONCRETE BASES SHALL BE BACKFILLED WITH SUITABLE MATERIAL COMPACTED TO 95 PERCENT.
4. CONCRETE BASES SHALL INCLUDE CONDUIT AND GROUNDING WIRE PER HEBER LIGHT & POWER REQUIREMENTS.
5. CONCRETE COMPRESSIVE STRENGTH (f<sub>c</sub>) SHALL BE 4000 PSI.
6. THE BOTTOM OF THE DECORATIVE BASE SHALL BE FLUSH WITH THE ADJACENT GRADE.

**COMMERCIAL HISTORIC  
STREET LIGHTING**

**HEBER CITY**

**STREETS-13**

DATE:	JUNE 2021
SCALE:	N.T.S.
75 NORTH MAIN STREET HEBER CITY, UTAH 84032 (435) 654-0757	

