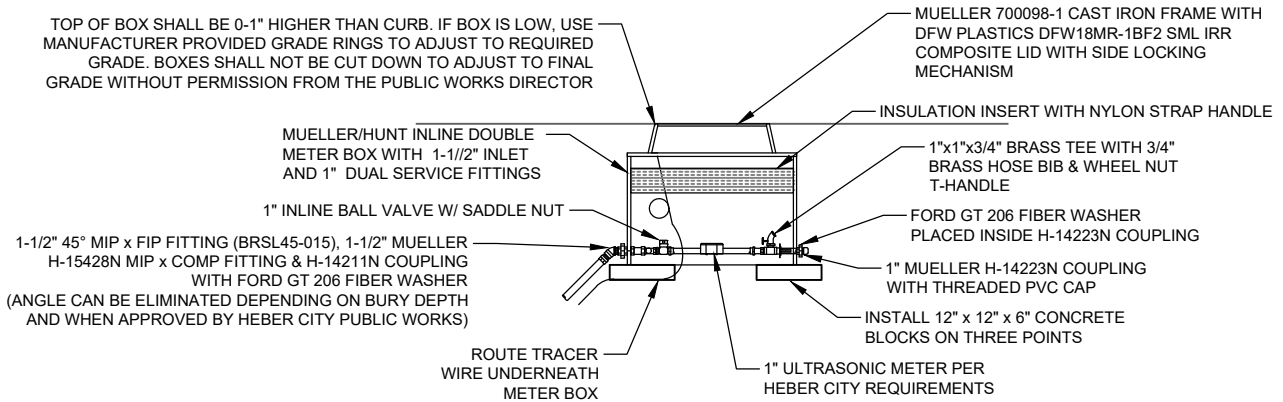
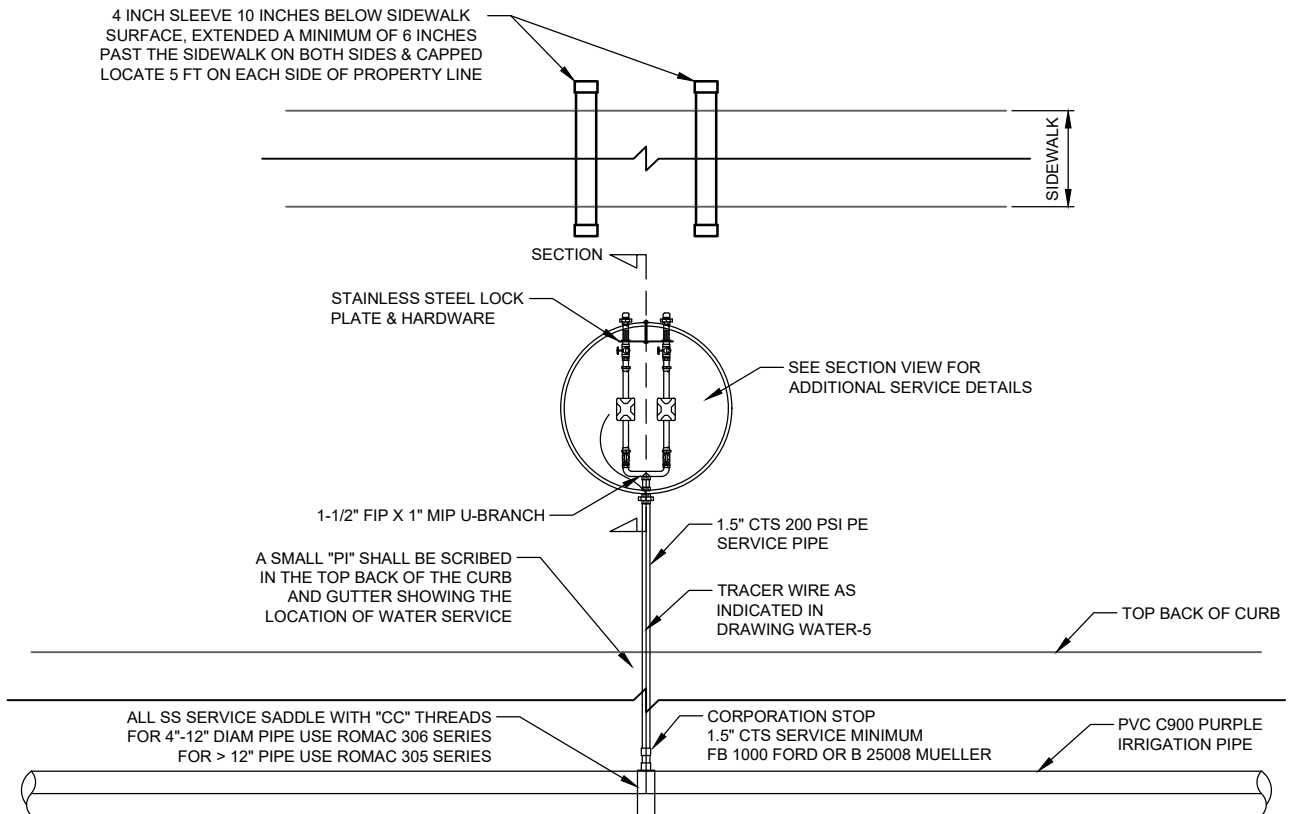


TABLE 1				
SERVICE LINE SIZE	MINIMUM METER BOX SIZE	BOX MODEL	LID / FRAME MODEL	COMMENTS
1 INCH	27" x 18"	330ID2718FAB000650N	DFW18MR-1BF2 SML IRR / 700098-1	NEW SERVICES

NOTE 1: FOR LARGER SIZES, USE SINGLE SERVICE DETAIL AND CONFIGURATION.



SECTION VIEW

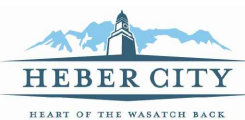


NOTES:

1. ALL COMPONENTS SHOWN TO BE FURNISHED AND INSTALLED BY DEVELOPER AND CONFORM TO AWWA C800.
2. STAINLESS STEEL STIFFENERS ON ALL POLY CONNECTIONS.
3. METER BOXES ALLOWED WITHIN DRIVEWAY ZONE ONLY WITH PRIOR APPROVAL FROM PUBLIC WORKS DIRECTOR.
4. WHEN METER BOXES ARE INSTALLED WITHIN DRIVEWAY ZONES OR WITHIN OTHER PAVED SURFACES, DIFFERENT TRAFFIC RATED LIDS & FRAMES MAY BE REQUIRED PER THE DIRECTION OF THE PUBLIC WORKS DIRECTOR.
5. IRRIGATION METER CAN TO BE LOCATED IN THE MIDDLE OF THE PLANTER STRIP OR BETWEEN SIDEWALK AND PROPERTY LINE (FOR COMBINATION SIDEWALK) OR AS DIRECTED BY ENGINEER. 4" SLEEVE REQUIRED ON ALL INSTALLATIONS INCLUDING EXISTING SIDEWALK.
6. IRRIGATION SERVICE SHOULD CONNECT DIRECTLY TO THE MAIN LINE AND NOT "TEE" OFF OF SERVICE LINES.
7. METER CAN SHALL BE COMPLETELY BACKFILLED WITH COMPACTED 3" MINUS GRANULAR MATERIAL FROM TOP TO BOTTOM.
8. BEDDING OF ALL PIPE SHALL CONFORM TO HEBER CITY BEDDING STANDARDS FOR CULINARY WATER.
9. METER FEE WILL BE ASSESSED WITH BUILDING PERMIT OR AT TIME OF METER INSTALLATION.

IRRIGATION SERVICE - TWO LOTS

DATE:	JUNE 2021
SCALE:	N.T.S.
75 NORTH MAIN STREET HEBER CITY, UTAH 84032 (435) 654-0757	



HEBER CITY
IRRIGATION-1A